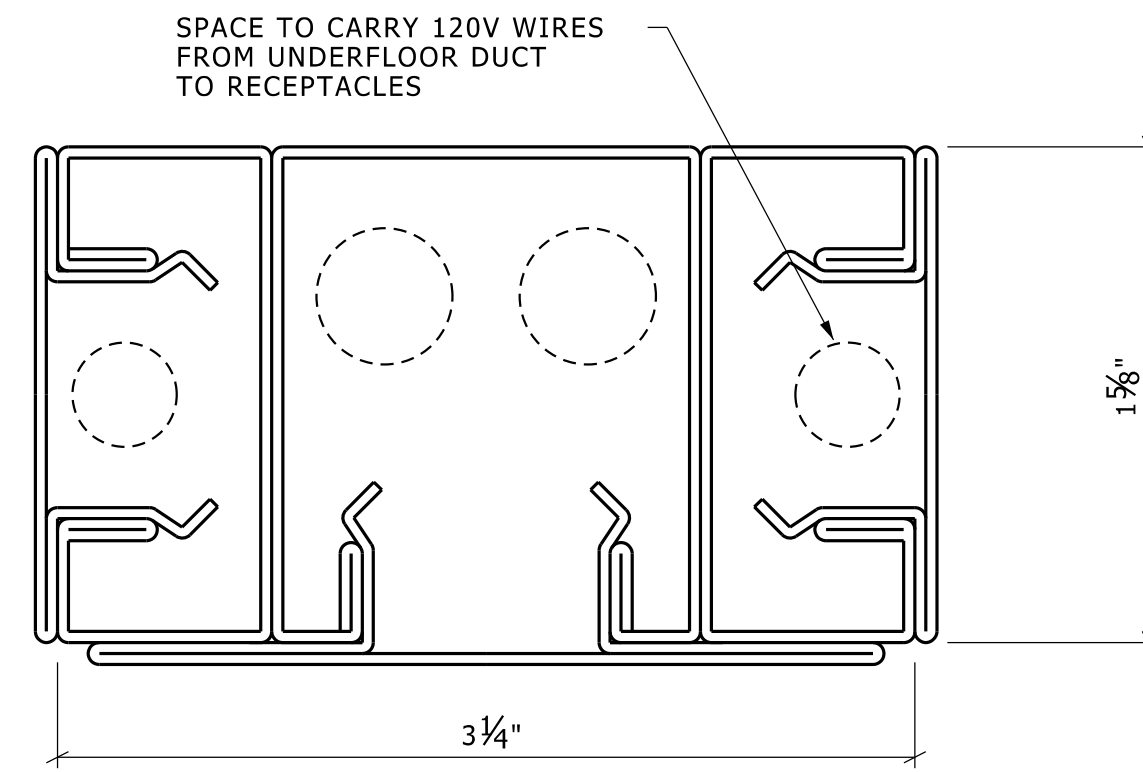
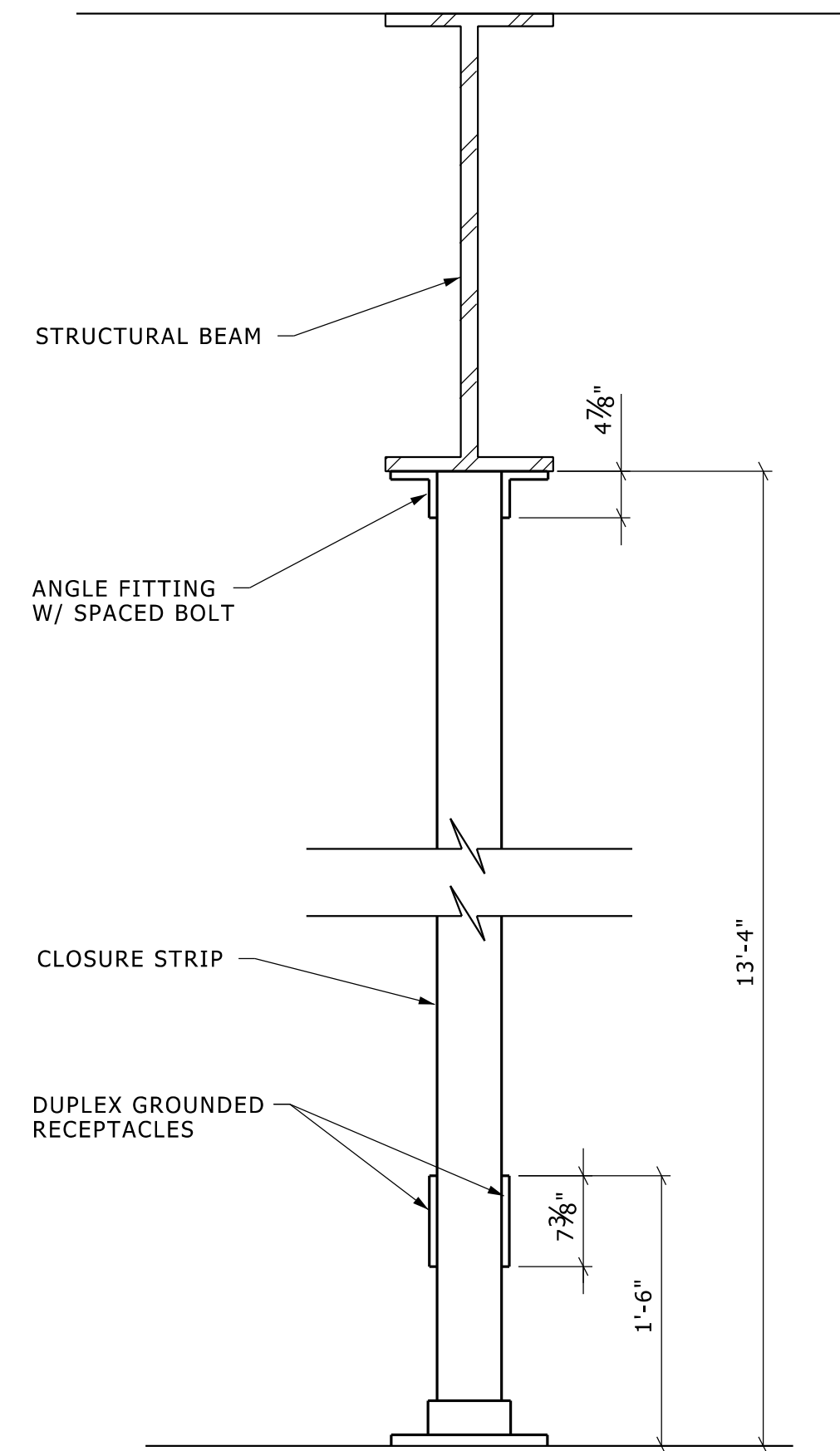


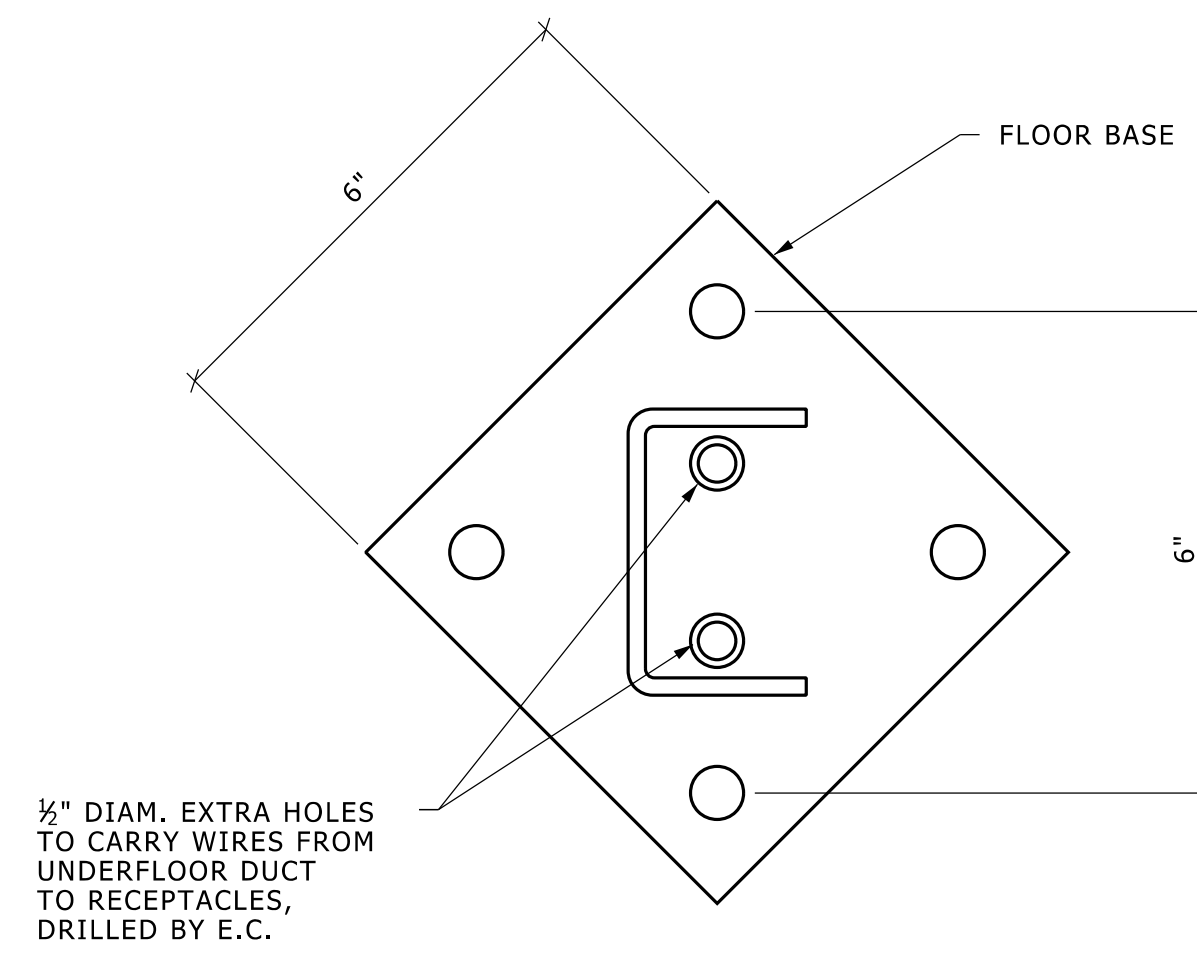
ISOMETRIC CONNECTION AT BEAM
NO SCALE



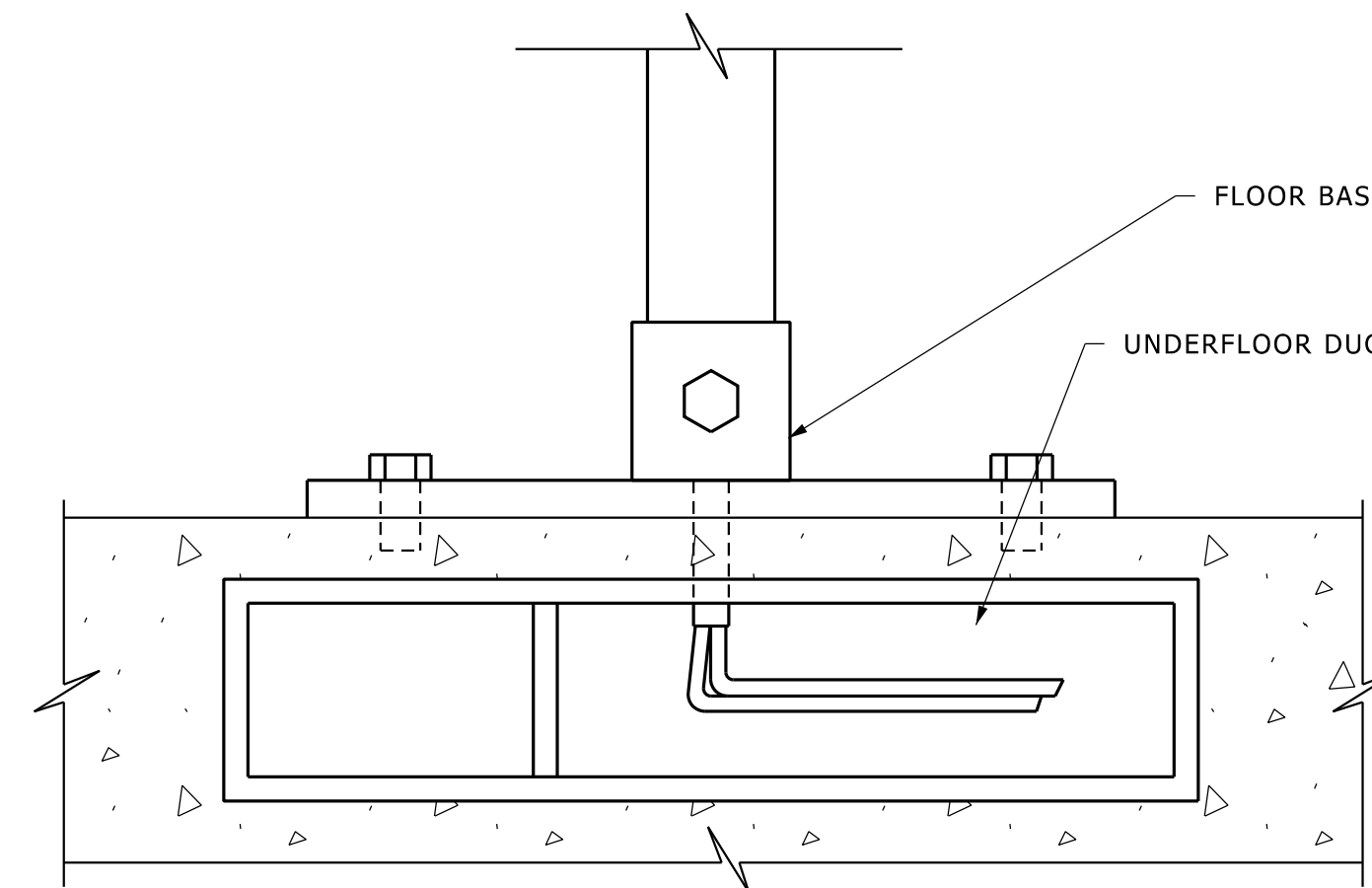
HORIZONTAL SECTION OF SERVICE POLE
NO SCALE



SERVICE POLE ELEVATION
NO SCALE



FLOOR BASE PLAN
NO SCALE



SECTION AT FLOOR LEVEL
NO SCALE

POWER POLE DETAILS
NO SCALE